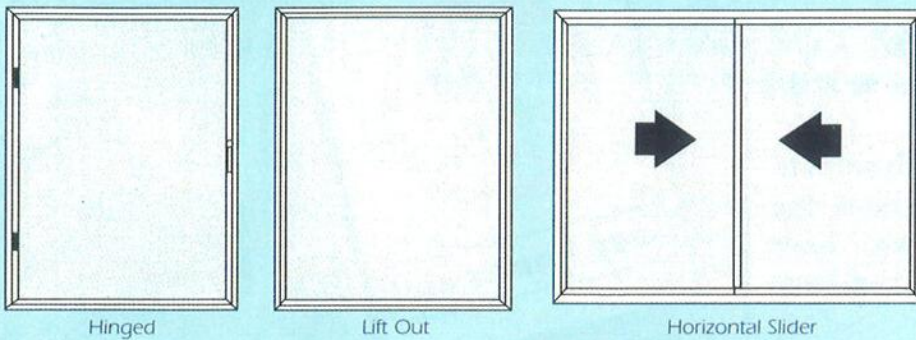


Duration Flyscreens

Duration Flyscreens

Panels Plus Outer Frame

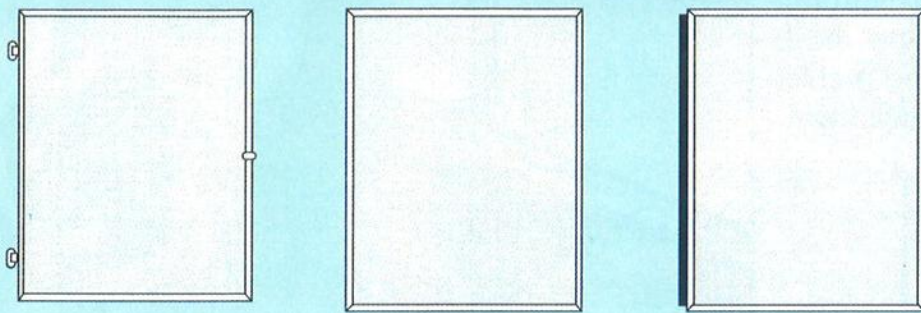


Hinged

Lift Out

Horizontal Slider

Panels Only - No Outer Frame



Hinged Panel
(No Subframe)

Fixed Panel
(No Subframe)

Insert Panel

Quality without compromise

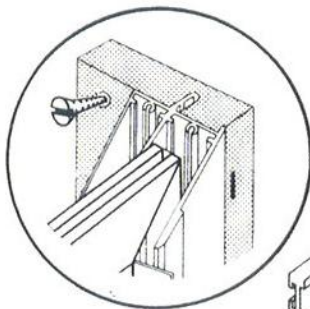
A perfect fit is the perfect barrier. Duration Flyscreens are made to measure from durable Aluminium frames with a fine non-combustible and non-corrodible fibre glass yarn mesh which excludes insects but, is fully translucent and allows full ventilation. The suite can be supplied with pre-drilled surround for ease of installation and comes with trims which conceals all fixing screws.

A system for all seasons

Designed to compliment our renowned Secondary Glazing system, the Duration suite is truly a system for all seasons.

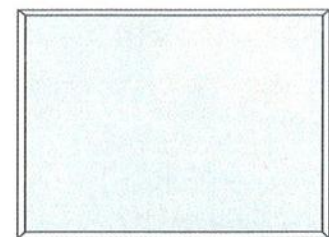
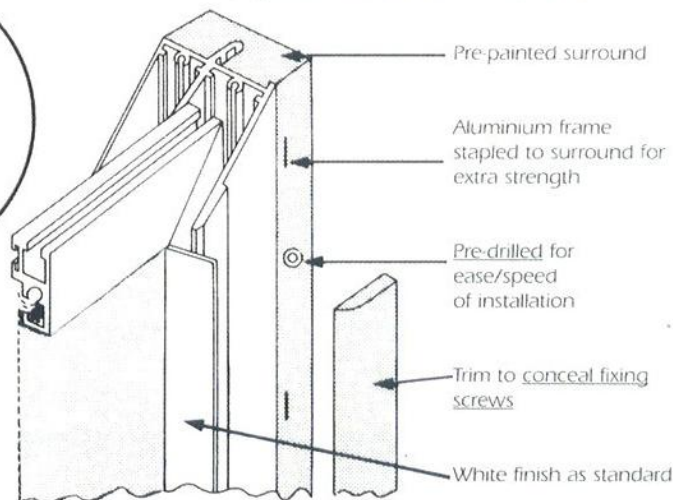
By simply interchanging the insert panels with glazed panels your system can provide the benefits of insect proofing in the summer and draught proofing in the winter.

OUTER FRAME DETAILS



OPTIONAL EXTENDED SUBFRAME FOR REVEAL FIXING

- NO LINER REQUIRED



THE SCREEN

Woven from fibreglass yarn and coated with a protective vinyl for easy cleaning. It will not corrode or stain and is non-combustible.



The last thing we want you to notice...

... is your **Duration Flyscreen.**

Specifically designed to complement the aesthetic line of existing windows, these attractive flyscreens are easily fitted and just as easily removed for cleaning.

Ideal for keeping out flying insects during the summer and autumn evenings while the fully translucent mesh allows for good ventilation and almost perfect visibility – In fact, you'll hardly notice them.



APPLICATIONS

Domestic : Conservatories, bedrooms, kitchens, dining rooms, lounges, caravans, etc

Commercial: Cafes, canteens, hospitals, hotels, offices, restaurants, etc